

General file specifications.

- **Scans:** image dpi @ 100%
80 dpi for image sizes over A0 (1190 x 841)
150 dpi for image sizes under A0 (1190 x 841)
- All files to be supplied in C, M, Y, K
- Screen print files need fonts provided or text converted to out-lines or curves.

- Bleed on Pull-ups and Double sided banners.

Pull-ups

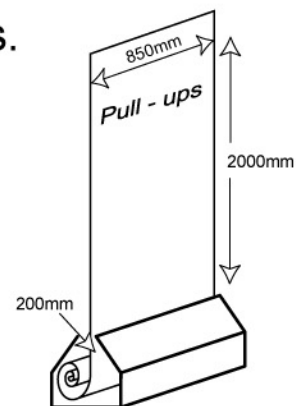
850mm x 2000mm image size

5mm bleed top and sides

200mm bleed on bottom

Double sided banners or signs

15mm bleed on all sides



- To check the quality of a high res PDF.

View in Acrobat at final print size.

ie: pdf at 1/4 size view at 400%

If image shows pixilation then the file will print with pixilation.

- **Preferred file format:** High Res PDF (see page 2 for specifications)

- If a high res PDF can not be provided we will accept these file formats.

Adobe Photoshop cs2

Adobe Illustrator cs2

Adobe InDesign cs2

Files provided in these formats will need all fonts and links supplied. These file types may have some additional costs that apply before going to print.

- If colour or content is important please supply a hard copy colour proof

If more information is required please contact your representative at Panda Graphic Imaging

Phone 09 970 6209 or email production@pandagraphic.co.nz